

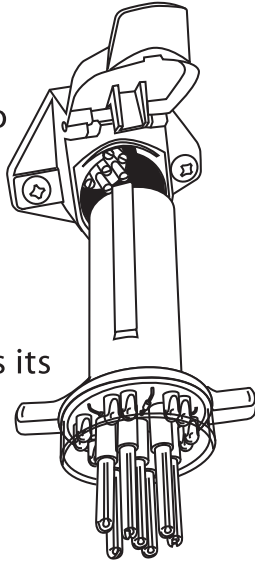


7-ROUND PIN CIRCUIT TESTER

Quickly Troubleshoot Tractor Trailer Electrical Circuits

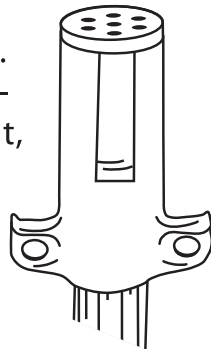
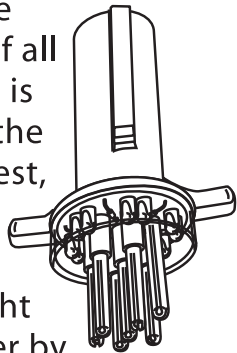
TESTING CIRCUITS:

- Plug the 7-Round Pin Tractor Trailer Light Circuit Tester into the end of the cable nearest the trailer. Bring the cable into the cab and run through each circuit of your lighting system. If one or more of the green LEDs do not come on as its circuit is being checked, that circuit is faulty.



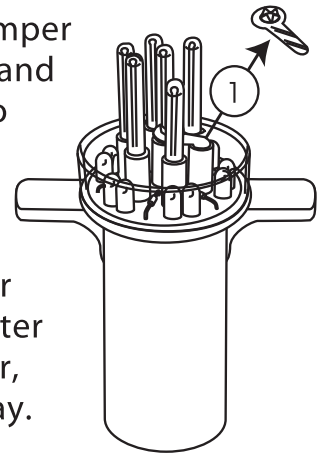
NOTE: Red LEDs only lights in reverse ground applications.

- To determine where the fault is located, unplug the 7-Round Pin Tractor Trailer Light Circuit Tester and move it to the seven pin connector on the tractor. Re-check each circuit. If all the LEDs light up, the problem is in the cable. If one or more of the LEDs remain unlit during the test, the problem is in the tractor.
- You may also want to use the 7-Round Pin Tractor Trailer Light Circuit Tester to test your trailer by checking at the seven pin connector on the rear of the trailer. When using the indicator markings to identify the faulty circuit, the 7-Round Pin Tractor Trailer Light Circuit Tester must be plugged into the seven pin connector on the trailer for proper orientation.



TO BY-PASS A FAULT:

- Plug the unit into the cable end and identify the faulty circuit.
- Unplug the tester, then unscrew the pin of the faulty circuit (CENTER PIN).
- Install the flat brass jumper (1) over the center pin and bend the tail down into the hole left by the removed pin.
- Plug the cable with the 7-Round Pin Tractor Trailer Light Circuit Tester attached into the trailer, and you are on your way.



AFTER TROUBLESHOOTING:

If the light on the trailer still does not work after you have placed the unit in the line by-passing the faulty circuit, the problem is either a burned-out bulb, or the line on the trailer is severed. The 7-Round Pin Tractor Trailer Light Circuit Tester does not fix either of these problems. It also does not replace the Emergency or Turn Signal flashers.

LIMITED WARRANTY:

On workmanship and material. We will repair or replace unit due to defects in material and/or workmanship for up to 1 year. This warranty does not cover use and abuse claims. For Warranty Claims, return the tool to: Warranty Claims c/o IPA Tools, 1674 Kirkwood Pike, Kirkwood, PA 17536 888-786-7899