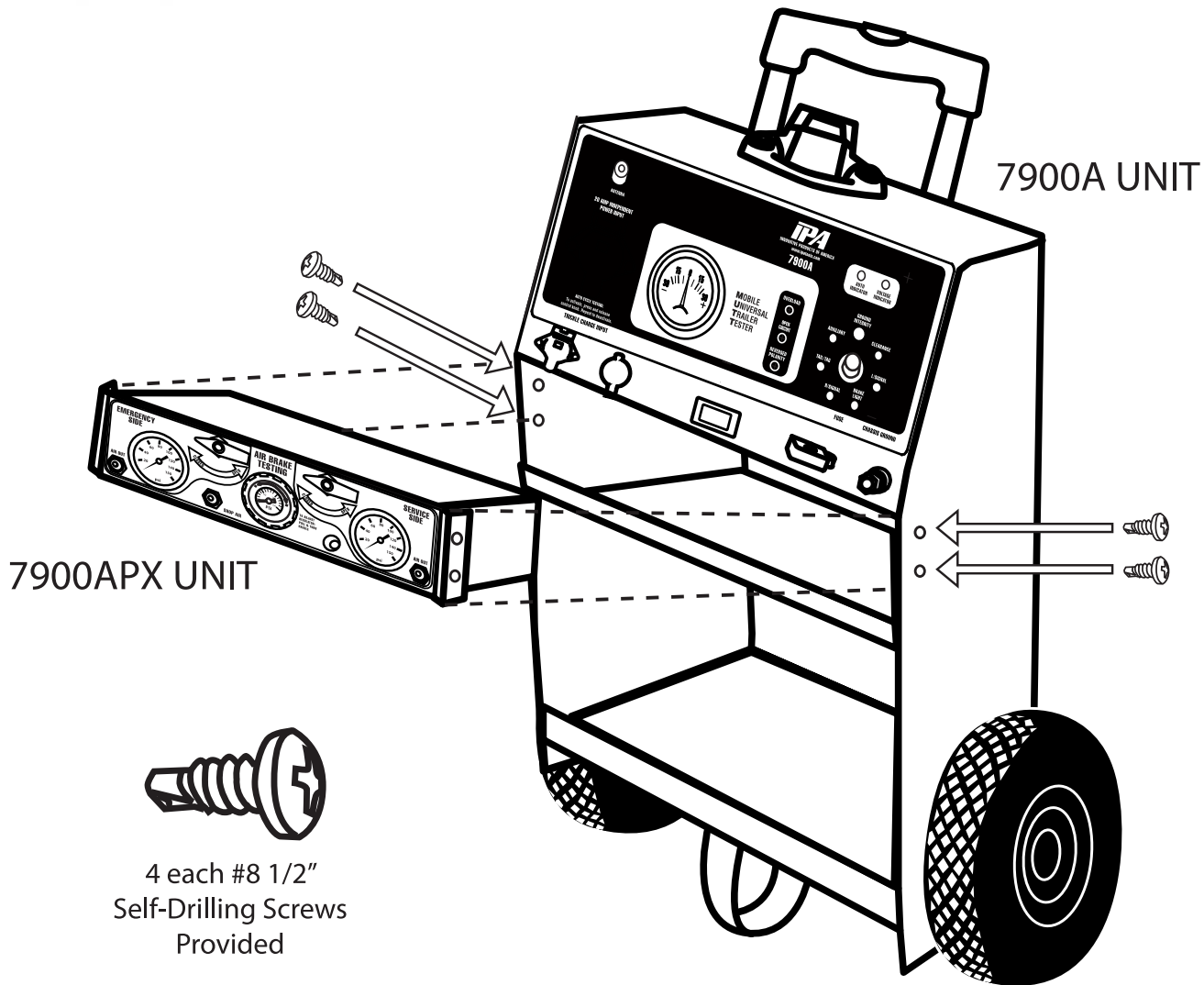




Mobile Universal Trailer Tester (MUTT) 7900APX INSTALLATION INSTRUCTIONS



INSTALLATION INSTRUCTIONS:

1. Carefully insert the retrofit unit into the shelf area under the head. Make sure the tabs are on the outside of the unit. Hold the retrofit unit up until it touches the head.
2. Hold the unit up to the top of the shelf and carefully put one of the self drilling screws in one of the four mounting holes. The screw will drill it's own hole but you can drill a pilot hole if needed. The drill size for a pilot hole is 1/8 inch.
3. Continue to hold the retrofit unit up to the head and put the remainder of the four screws into the mounting holes.
4. Once the retrofit kit is mounted, plug the cord in the bottom into the 12v socket lockated on front of the unit.

Innovative Products of America™

www.ipatools.com

Warranty/Repair 1674 Kirkwood Pike, Kirkwood, PA 17536

717-529-4000

Corporate/Sales Office

P.O. Box 266 Mt. Tremper, NY 12457

888.786.7899

7900APX INSTALLATION GUIDE-v02